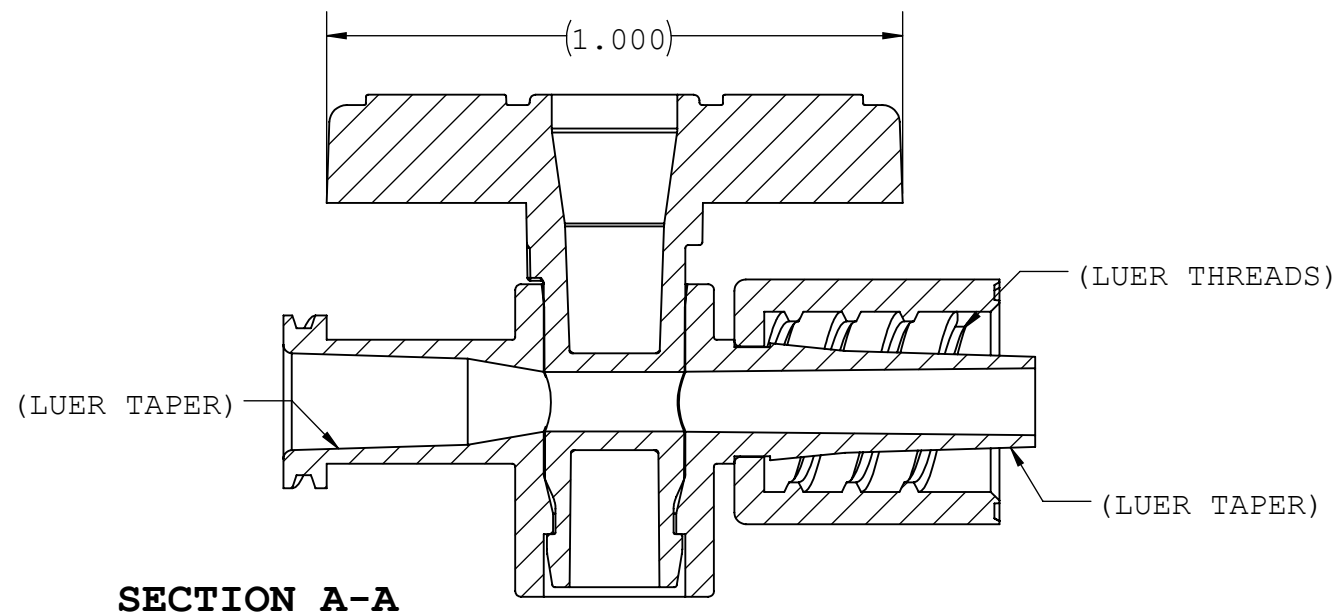
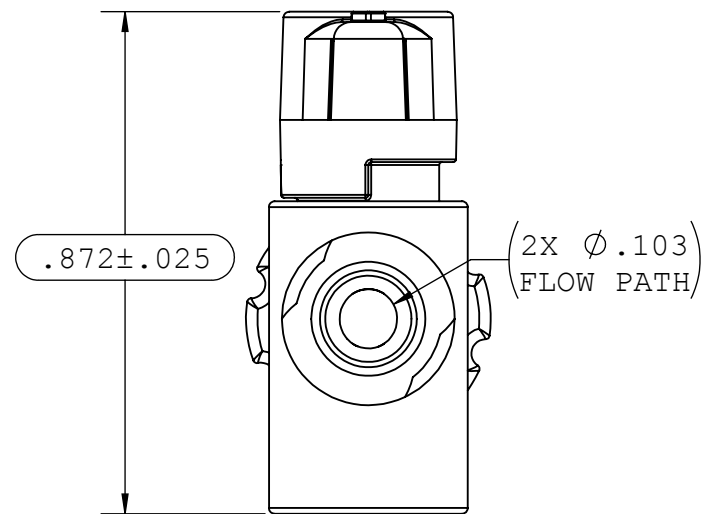
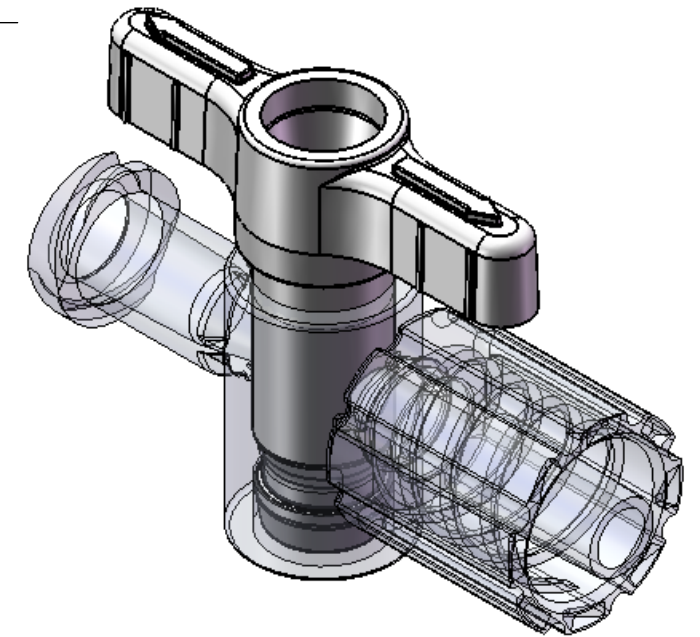
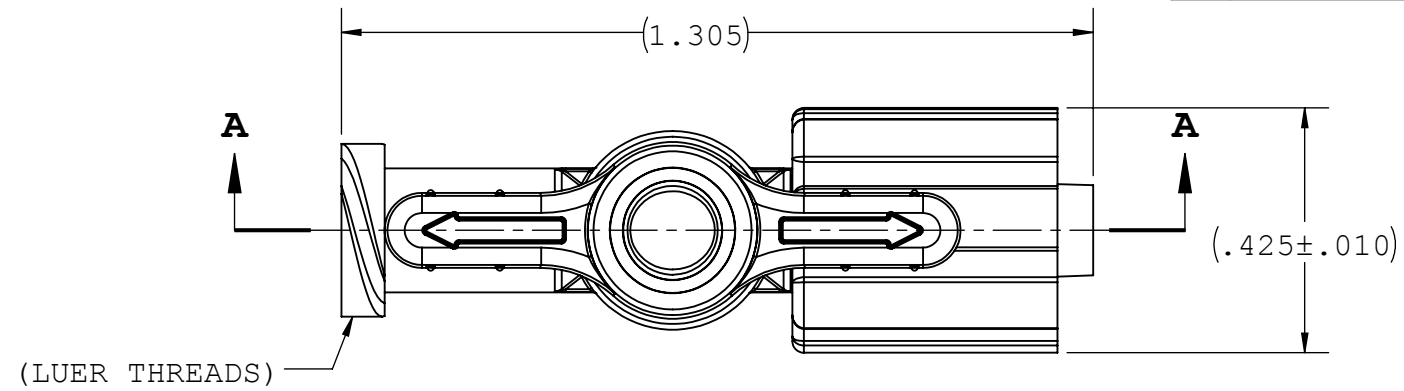


NOTES: FOR ADDITIONAL DETAILS, PLEASE CONTACT VP CUSTOMER SERVICE
 DIMENSIONS MARKED \varnothing ARE CONTROL DIMENSIONS

PARTS ARE ASSEMBLED IN THE ORIENTATION SHOWN ON THE DRAWING

ANGLE ALLOWANCE OF DIVERTER ± 10 DEGREES

REVISIONS			
REV.	DESCRIPTION	DATE	APPROVED
A	INITIAL RELEASE	09/02/15	K.R.S.
B	ECO 311	03/15/16	K.R.S.



SECTION A-A

UNLESS OTHERWISE SPECIFIED DIMENSIONS ARE IN INCHES TOLERANCES ARE:		VALUE PLASTICS, INC			
FRACTIONS DECIMAL ANGULAR ± .XX ±.01 ± 1° .XXX ±.005 .XXXX ±.001		PART NUMBER: FCLBFMR-001			
DO NOT SCALE DRAWING		DESCRIPTION: STOPCOCK, 1-WAY, LG BORE, FL TO ML, LUER LOCK RING			
DRAWN BY: marie.morleyjahn	DATE: 3/15/2016	SIZE: B	SCALE: NTS	VER: 	DWG. NO. 1032428
MANAGER: kyles		© 2014 VALUE PLASTICS, INC			REV B
					SHEET: 1 OF 1

FOR REFERENCE ONLY